

## Installation Instructions:

### Opel Frontera

1989 - 1998

#### PSB 043

Front Tension rod Bushing  
OE Number: 8944336720

#### PSB 046

Front Upper arm Bushing  
OE Number: 8944088403

1. Remove metal bracket of original rubber bushing.
2. Ensure outer metal casing of original rubber bushing is removed, which can be done by cutting with a hacksaw and knocking out with a chisel.
3. Clean housing with sand paper to remove sharp edges.
4. Use mechanical press to install new bushing, making sure that it is in the same position as the original bushing that has just been removed.
5. The installation is complete.

#### PSB 081

Anti Roll / Sway Bar Bushing  
OE Number: 8-97247-083-0

1. Remove metal bracket of original rubber bushing.
2. Remove old rubber bushing and clean bar.
3. Find slit on new poly bushing and slide over the bar.
4. Refit metal bracket.
5. The installation is complete.

#### PSB 002

(Installation instructions same as PSB 001)  
Rear Spring Front Bushing  
OE Number : 55045-01W10

#### PSB 035

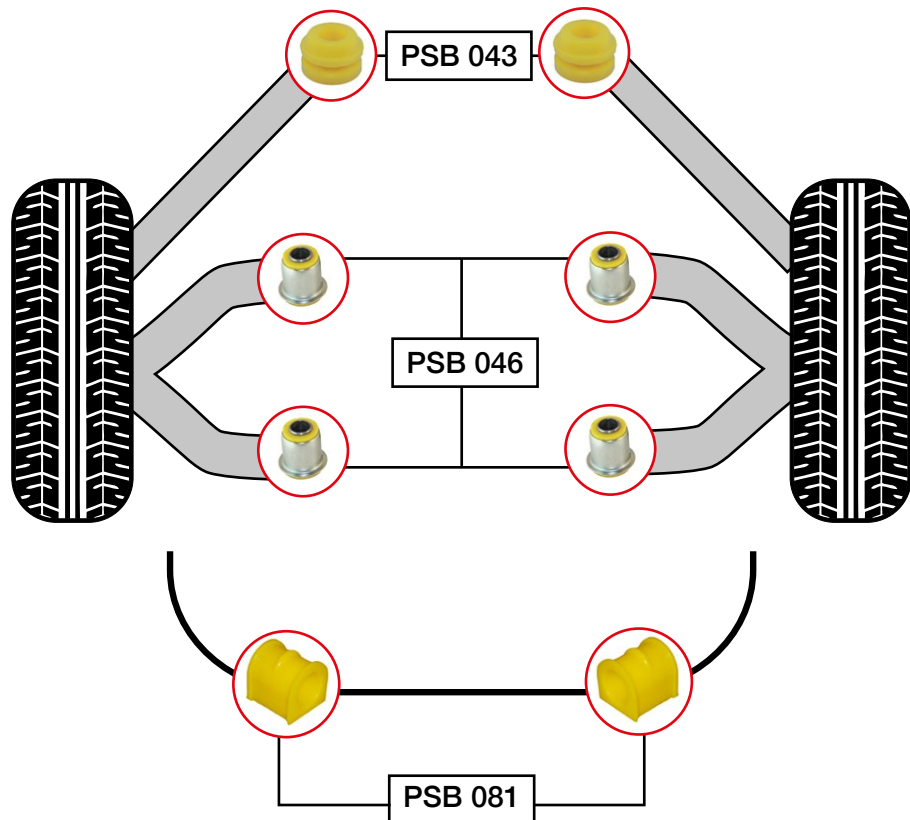
Exhaust Hanger Bushing

#### PSB 001

Rear Spring Rear Upper/Lower Shackle Bushing  
OE number : 8942343190

1. Take the weight of the vehicle off the leaf spring.
2. Unbolt the shackle hangar.
3. Remove the old bushing off the bolt.
4. Replace with new poly bushings.
5. Bolt up the spring shackle to the chassis.
6. The installation is complete.

## FRONT



## REAR

